

Flanges and Gaskets

Chevrolet Small Block Exhaust Flange - Stock Bolt Patterns					
Part Number	Size	Flange Port	Material	Description	Retail
FL-SBC163R	1 5/8	Round	3/8" Mild Steel	Small Block Chevy (LT1) (265-400)	\$ 39.24
FL-SBC1750OV	1 3/4	Oval	3/8" Mild Steel	Small Block Chevy (265-400)	N/A
FL-SBC188OV	1 7/8	Oval	3/8" Mild Steel	Small Block Chevy (265-400)	N/A

Chevrolet Big Block Exhaust Flange - Stock Bolt Patterns					
Part Number	Size	Flange Port	Material	Description	Retail
FL-BBC175OV	1 3/4	R/D/O/S	3/8" Mild Steel	Big Block Chevy (LS1/LS6) (LS7)	\$ 38.73
FL-BBC188R	1 7/8	R/D/O/S	3/8" Mild Steel	Big Block Chevy (LS1/LS6) (LS7)	N/A
FL-BBC200R	2	R/D/O/S	3/8" Mild Steel	Big Block Chevy (LS1/LS6) (LS7)	N/A

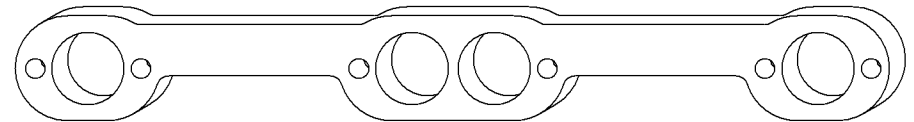
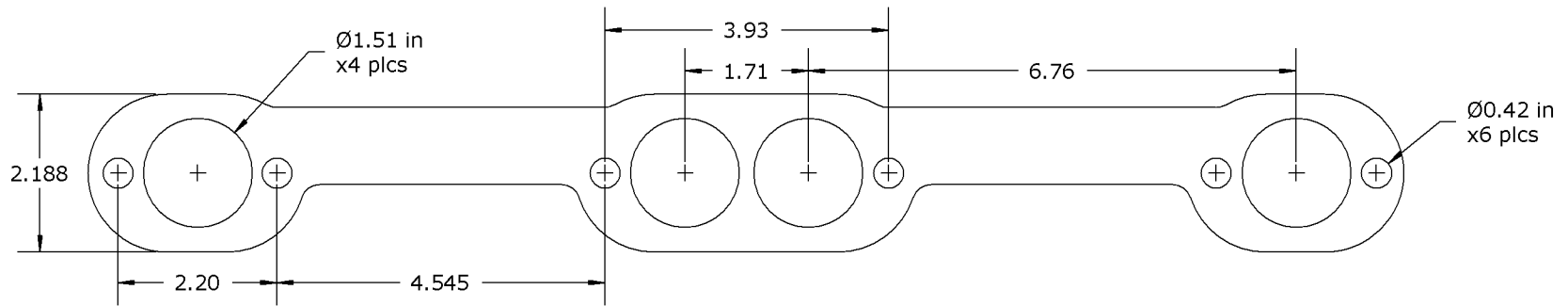
Ford Exhaust Flange					
Part Number	Size	Flange Port	Material	Description	Retail
FL-FFH	1 1/2	Round	3/8" Mild Steel	Ford Flathead Individual Flanges	N/A
FL-FFH	1 5/8	Round	3/8" Mild Steel	Ford Flathead Individual Flanges	N/A
FL-FW163OV	1 5/8		3/8" Mild Steel	Ford Windsor	N/A
FL-FW175OV	1 3/4		3/8" Mild Steel	Ford Windsor	N/A
FL-FBB			3/8" Mild Steel	Ford Big Block	N/A

VW Thick Flanges - Stock Bolt Pattern					
Part Number	Size	Flange Port	Material	Description	Retail
FL-VW1500	1 1/2	R	3/8" Mild Steel	VW Std port, .40 bolt hole, 2.3125" centerline	
FL-VW1625	1 5/8	R	3/8" Mild Steel	VW Std port, .40 bolt hole, 2.3125" centerline	
FL-VW1750	1 3/4	R	3/8" Mild Steel	VW Std port, .40 bolt hole, 2.3125" centerline	

2-Bolt Flanges					
Part Number	Tubing OD	Material	Bolt Diameter	Description	Retail
FL2B-138	1.375"	1/4" HR MS	1/4	Laser Cut 2 bolt flange 1/4" HR Mild Steel	\$ 8.99
FL2B-150	1.50"	1/4" HR MS	1/4	Laser Cut 2 bolt flange 1/4" HR Mild Steel	\$ 9.30
FL2B-163	1.625"	5/16" HR MS	5/16	Laser Cut 2 bolt flange 5/16" HR Mild Steel	\$ 10.94
FL2B-175	1.75"	5/16" HR MS	5/16	Laser Cut 2 bolt flange 5/16" HR Mild Steel	\$ 11.30
FL2B-188	1.875"	5/16" HR MS	5/16	Laser Cut 2 bolt flange 5/16" HR Mild Steel	\$ 11.39
FL2B-200	2.00"	3/8" HR MS	3/8	Laser Cut 2 bolt flange 3/8" HR Mild Steel	\$ 14.54
FL2B-225	2.25"	3/8" HR MS	3/8	Laser Cut 2 bolt flange 3/8" HR Mild Steel	\$ 15.02
FL2B-250	2.50"	3/8" HR MS	3/8	Laser Cut 2 bolt flange 3/8" HR Mild Steel	\$ 15.74
FL2B-300	3.00"	3/8" HR MS	3/8	Laser Cut 2 bolt flange 3/8" HR Mild Steel	\$ 17.48

3-Bolt Flanges					
Part Number	Tubing OD	Material	Bolt Diameter	Description	Retail
FL3B-188	1.875"	5/16" HR MS	5/16	Laser Cut 3 bolt flange 5/16" HR Mild Steel	\$ 12.54
FL3B-200	2.00"	5/16" HR MS	5/16	Laser Cut 3 bolt flange 5/16" HR Mild Steel	\$ 12.63
FL3B-225	2.25"	5/16" HR MS	5/16	Laser Cut 3 bolt flange 5/16" HR Mild Steel	\$ 13.29
FL3B-250	2.50"	5/16" HR MS	5/16	Laser Cut 3 bolt flange 5/16" HR Mild Steel	\$ 14.15
FL3B-300	3.00"	5/16" HR MS	5/16	Laser Cut 3 bolt flange 5/16" HR Mild Steel	\$ 15.23
FL3B-350	3.50"	5/16" HR MS	5/16	Laser Cut 3 bolt flange 5/16" HR Mild Steel	\$ 16.56
FL3B-400	4.00"	3/8" HR MS	3/8	Laser Cut 3 bolt flange 3/8" HR Mild Steel	\$ 22.61
FL3B-500	5.00"	3/8" HR MS	3/8	Laser Cut 3 bolt flange 3/8" HR Mild Steel	\$ 27.36

Gaskets					
Part Number	Thickness	Material	Dimensions	Description	Retail
GS06-810	1/16"	HTX 900	8" x 10"	Misc. Flange universal gasket material	\$ 12.50
GS06-420	1/16"	HTX 900	4" x 20"	Head Flange universal gasket material	\$ 12.50



COMPANY
NAME:

CDNE
ENGINEERING, INC.

PART NAME:

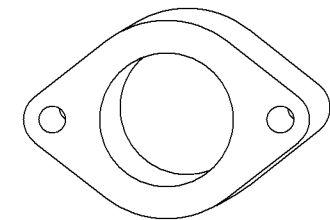
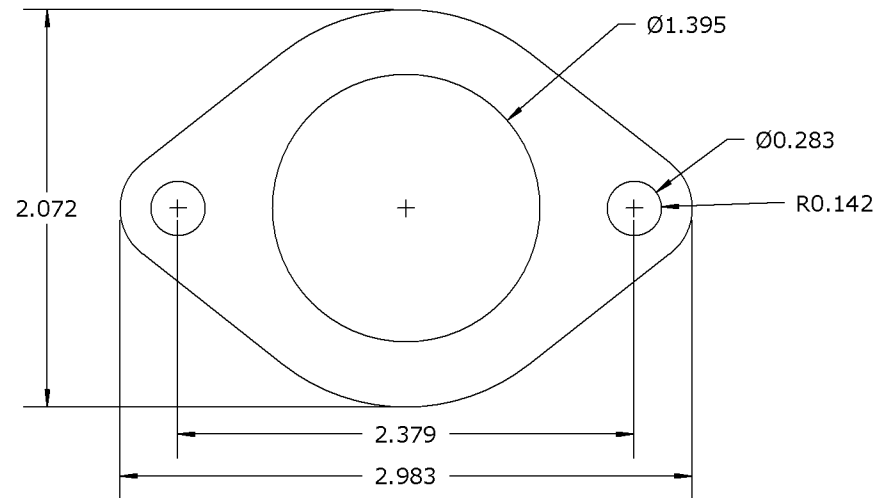
FL-SBC163R

MATERIAL:

3/8" HR

FINISH:

Raw or Nickel Plated



COMPANY
NAME:

CDNE
ENGINEERING, INC.

PART NAME:

FL2B-138

MATERIAL:

1/4" HR

FINISH:

Raw or Nickel Plated